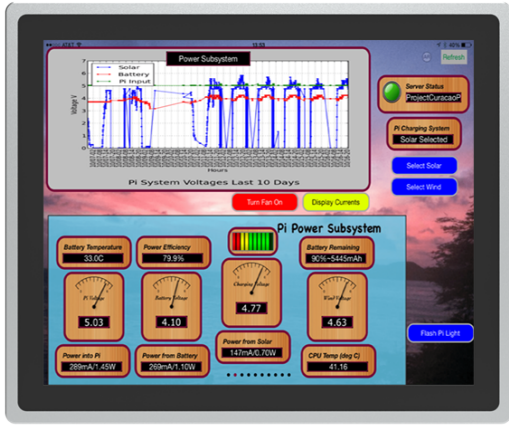
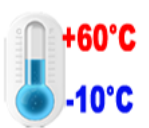
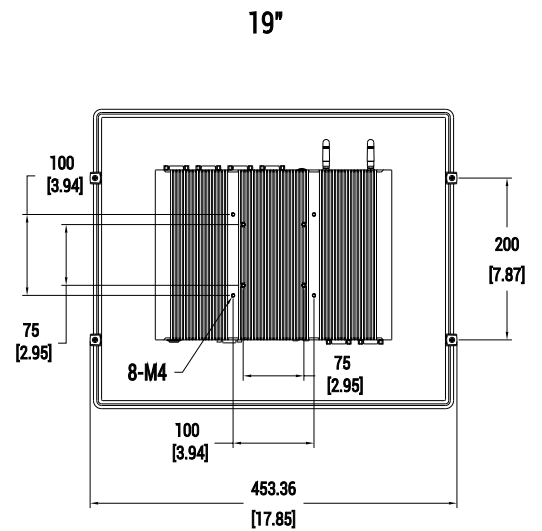
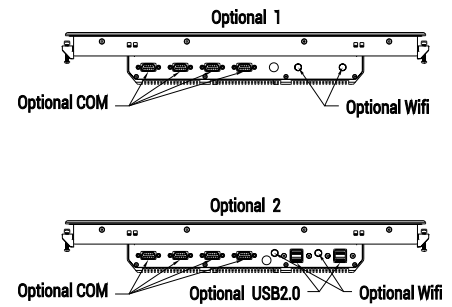
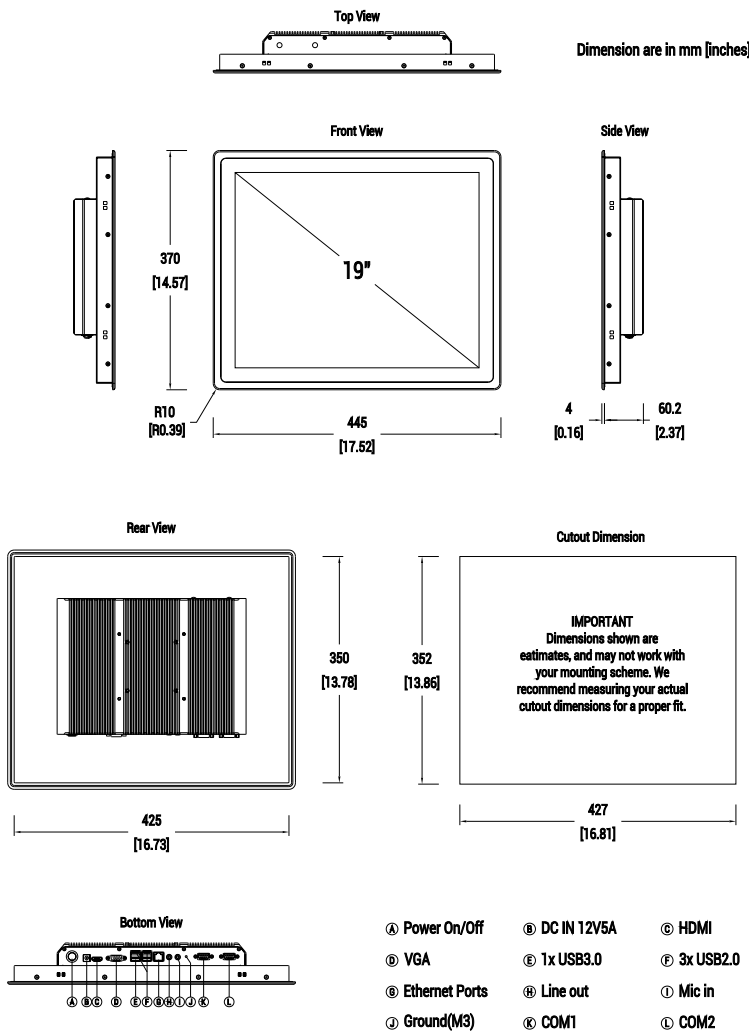


19" Fanless Embedded Touch Panel PC



Dimensional Outline: 19" Fanless Embedded Touch Panel PC





Model: NETPC319/419

Description	Product Name	19" Fanless Embedded Touch PC					
Item	Model Number	NETPC319/419					
Display	Screen size(inch)	19" TFT-LCD					
	Aspect Ratio	4:3 (H:V)					
	Physical resolution	1280*1024					
	LED Color	262K					
	Luminance (cd/m2)	250					
	Contrast Ratio	1000 : 1					
	Viewing Angle (H-V)	160/150					
	Backlight	LED					
	Backlight Lifetime (hrs)	LED / 30,000					
Touch Panel	Touch Type	5-wire resistive touch Or Projected Capacitive 10-Point Multitouch					
	Touch Controller	USB Interface					
System	CPU Option	Intel® Celeron Dual Core J1800 2.4 GHz	Intel® Celeron QuadCore J1900, 2.0 GHz	Intel® Celeron dual Core 3855U, 1.6 GHz (Gen 6th)	Intel® Core i3-6006U/i3-7020u 2.0/2.3GHz, dual core (Gen 6th/7th)	Intel® Core i5-6200U/i5-7200U 2.3/2.5GHz, dual core (Gen 6th/7th)	Intel® Core i7-6500U/i7-7500U 2.5/2.7GHz, dual core (Gen 6th/7th)
	Chipset	Intel Bay trail	Intel Bay trail	Intel Skylake	Intel Skylake/Kabylake	Intel Skylake/Kabylake	Intel Skylake/Kabylake
	Graphic GPU	Intel® HD Graphics					
	RAM/Memory	Standard: 4GB 1*DDR3L SODimm (MAX 8GB)			Standard: 4GB (2*DDR3 SODIMM MAX.16G)		
	Storage	Standard: Industrial 32GB SSD (Could be upgradable)					
	Ethernet/LAN	1XLAN Or 2x LAN 1000Mbit RJ45 Ports					
	Audio	1 X 3.5 mmLine Out1 X 3.5 mm Mic In					
	Operating System	Ubuntu; Win7/8/10; Linux; 32Bit/64Bit					
	Pre-installed OS	Linux Ubuntu					
	I/O Ports	USB Ports	4x USB Or 6x USB ports				
Serial Ports		2x COM or 6x COM ports Full-PIN (RS232; 5V/12V) (default)					
VGA		1x VGA Connector					
HDMI		1xHDMI Connector					
Audio		MIC-In, EAR-Out					
Power		100-240V ACDC active switching adaptor; 1x 12V DC-In					
Mechanical	Construction	Aluminum cooling cover and metal enclosure					
	House Dimension (mm) W x H x D	445*370*64.2mm					
	Operating Temperature	-10 ~ +50 °C					
	Storage Temperature	-20~ +60 °C					
	Humidity Range (RH)	10% - 90%					
	Mounting	Embedded; VESA 75/100mm					
	Net weight (kg)	5.8kg					
	Gross weight (kg)	8.0kg(incl. carton)					
	Protect	IP66 Front panel; Withstanding water, moisture, dust and vibration					
	Certification	CE/FCC/RoHS					
Included in the Delivery	Power adapter;Short Installation Manual; 2x Wifi antenna(Optional)						
Order Option:	*RAM/Memory	4GB standard, 8GB (MAX for J1800/1900), 16GB					
	*SSD Storage	32GB SSD standard, 64GB, 128GB,256GB					
	*HDD Storage	500GB HDD, 1T HDD, 2T HDD					
	*Additional WI-Fi	WIFI includes bluetooth(two-in-one)					
	*Optional COM	1X RS422 /1X RS485 COM					

To meet the different needs of customers, NetEon offer various interfaces solutions for option.

Option A: One LAN+ 4x USB+ 2x RS232 COM



Bottom View



Top View

Option B: One LAN+ 4x USB+ 6x RS232 COM



Bottom View



Top View

Option C: Dual LAN+ 6x USB+ 6x RS232 COM



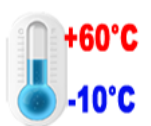
Bottom View



Top View

Note: Wifi is optional for A,B,C.

RS232 COM default, could choose 1x RS422/ 1x RS485 COM





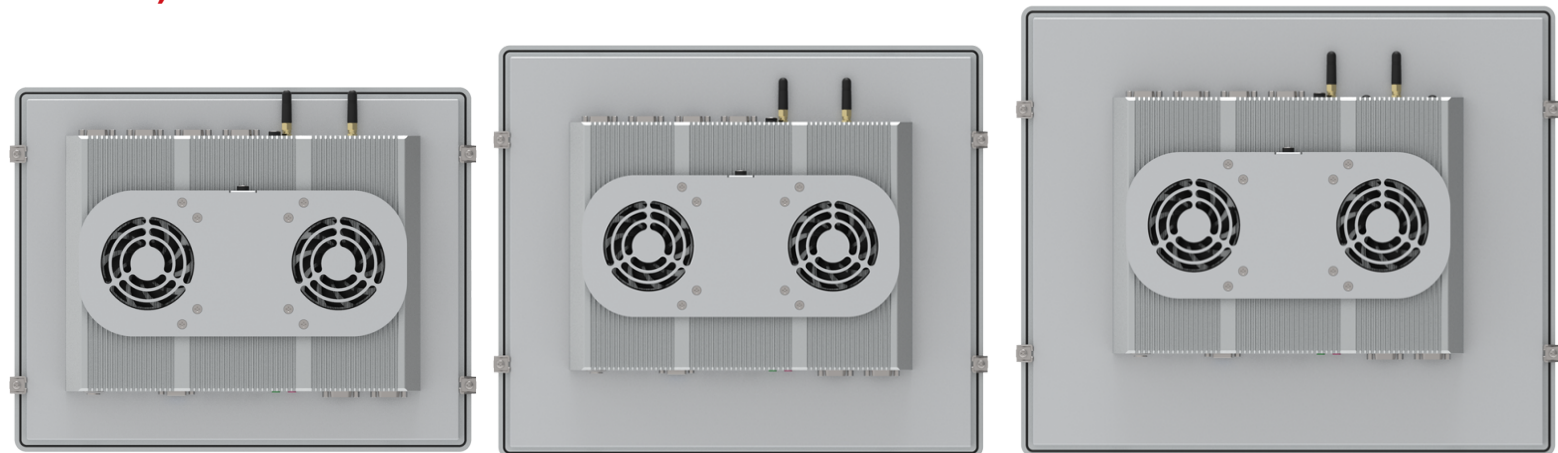
Our slim Panel pcs include fanless or fan for option, if the panel pc need to be applied in a tough high temperature surroundings, you could choose panel pc with fan installed in the outer side, the fan could be detachable,easy maintenance.

Fan Series View for different sizes:

10.4" &12.1" Fan series, interfaces optional(see the above optional interfaces section)



15" 17" 19"Fan series, interfaces optional(see the above optional interfaces section)



Fan comes with the power cord, and could be detachable.