



Features

- Sleek light weight design
- 23.8" Full HD PCAP touch
- Socketed FCLGA1700 Intel® 12th Gen Core™ i7/i5/i3 Processor
- 1 COM, 2 LAN, 1 USB 2.0, 3 USB 3.0, 1 USB type C
- 1 x M.2 Key B 3042/3052/2280, 1 x M.2 Key E for WIFI, 1 x M.2 Key M for storage
- Optional 5KV isolation USB/ COM/ LAN ports by IET BD-A module
- Optional webcam/ WIFI/ NFC/ barcode scanner
- Optional HDMI/Audio/USB2.0/Mini PCIe/COM by IET BD-B module
- Optional capture card integration



High Performance



Data & Access Security



User Friendly Design



IET Expansion



Medical Grade & Infection Control

Specifications

System Information

SBC	HID-2340 mother board
TPM	Onboard NuvoTon NPCT754AADYX support TPM 2.0 (optional)
H/W Status Monitor	CPU & system temperature monitoring and Voltages monitoring
Watchdog Timer	H/W reset, 1sec. - 65535sec./min.1sec. or 1min. step
I/O Chipset	Monitoring CPU & system temperature and voltage
Processor	Intel® Core™ i5-1235UL Processor, 12M Cache, up to 4.40 GHz (15W) Intel® Core™ i7-1265UL Processor, 12M Cache, up to 4.80 GHz (15W)
System Memory	One 262-pin DDR5 4800MHz SO-DIMM socket, supports up to 32GB max (min 8GB)
Platform Controller Hub	Integrated in processor (SOC)

Expansion

Expansion	1 x M.2 Key B 3042/3052/2280 1 x M.2 Key E for WIFI 1 x IET expansion
-----------	---

Storage

Storage	1 x M.2 Key M storage (optional) 1 x 2.5" SSD (optional)
---------	---

Audio

Audio Codec	Realtek ALC888S
Speaker Output	2 x 2W

Ethernet

LAN Chipset	1 x Intel® I225LM 1 x Intel® I226LM
Ethernet Interface	10/100/1000/2500 Base-Tx GbE compatible
LAN Port	2 x RJ-45

Power Requirement

Power Mode	AT/ATX(ATX is default setting)
DC Input Connector	Lockable DC Jack
DC Input	+12V~+24V

Software Support

OS	Win10 / Win11/ Linux
----	----------------------

Certification

Certification Information	CE : IEC/EN60601-1-2 FCC : Part 15 class B UL60601-1
---------------------------	--

External I/O

Wireless LAN	Optional 802.11abgn + acR2 + axR2 Wi-Fi 6E BT5.2
USB Port	1 x USB 2.0 3 x USB 3.0 1 x USB type C (output for USB 3.1 & display, 5V/3A 15W, no power receiving function)
COM Port	1 x RS-232/422/485

Panel

Pixel Pitch	274.5 x 274.5
Viewing Angle	89 (U), 89 (D), 89 (L), 89 (R)
Response Time	16 ms
Backlight	LED
Touch Type	Projective capacitive multi-touch up to 10 points
Touch Light Transmission	85%
Touch Controller	USB touch (EETI H8851A)
LCD Size	23.8"
Display Type	Full HD
Resolution	1920 x 1080
Contrast Ratio	3000
Luminance	250 cd/m ²

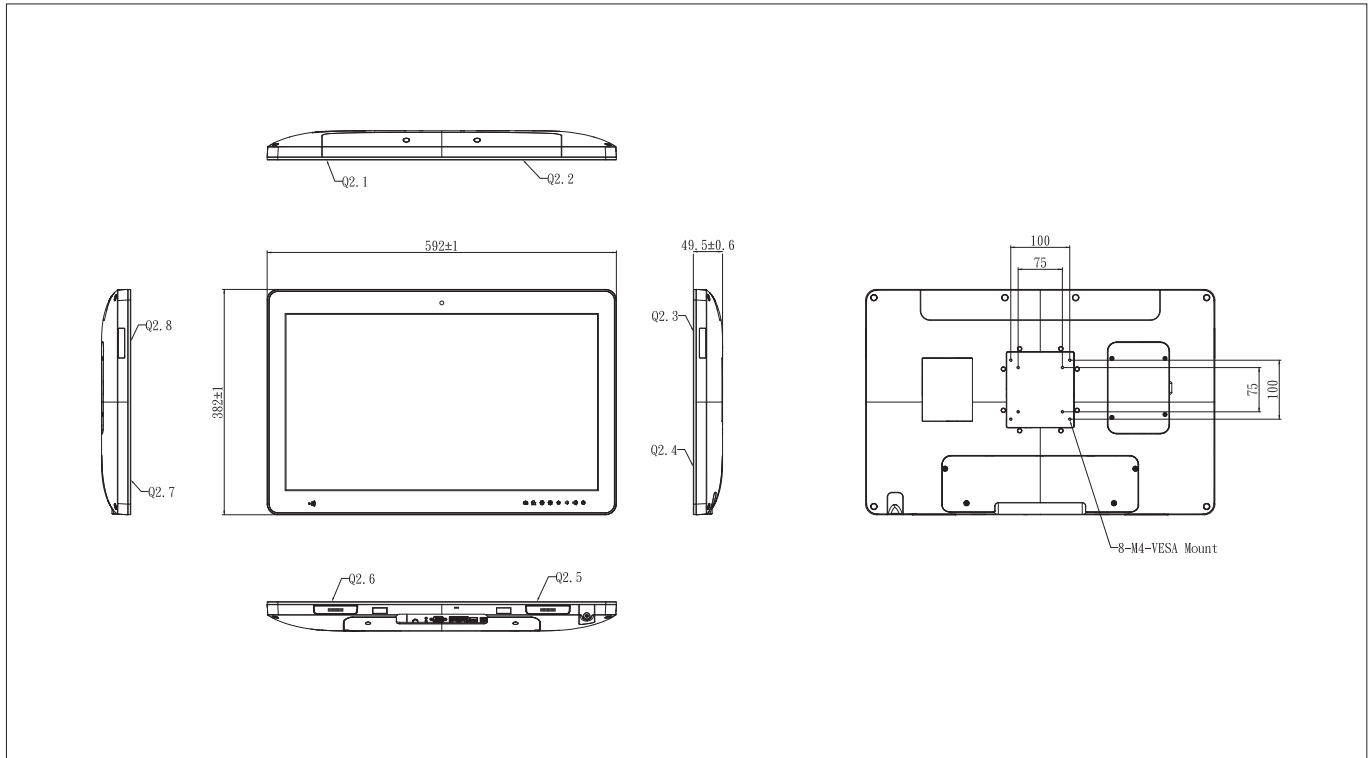
Mechanical & Environmental

Construction - Front	White plastic
Construction - Rear	White plastic
VESA	75 x 75, 100 x 100 mm
Weight	6 kg
Storage Temp.	-10°C ~ 60°C (14°F ~ 140°F)
Operating Humidity	40°C @ 95% relative humidity, non-condensing
Dimension (W x L x H)	592 x 382 x 49.5mm
Operating Temp.	0°C ~ 40°C (32°F ~ 104°F)
System Fan	Fanless
Vibration Test	With SSD/mSATA : 1.5Grms, IEC 60068-2-64, random, 5 ~ 500Hz, 30min/axis
Shock Test	With CF/SSD : 10Grms, IEC 60068-2-27, half sine, 11ms
Power Mode	ATX(Default)
IP Rating	Front IP65, Back IP54
Fanless	Yes
Color	White plastic
Finishing	Anti-microbial

Component

Adapter	Medical grade Input: 100-240V, 2.0-1.0A, 50-60Hz Output: 120W adapter (24V/5A adapter)
---------	--

Mechanical Drawing



Ordering Information

P/N	Touch Type	Processor	Memory	Storage	Panel Size	Resolution	Brightness	I/O Ports (COM/USB/LAN)	Display Output	Power Input	Working Temp.	OS Support
HID-2340-123-A1R	PCAP	i5-1235UL	8GB	N/A	23.8"	1920 x 1080	250 cd/m ²	1 COM/ 4 USB/ 1 USB Type C/ 2 LAN	USB Type C	+12V~+24V	0°C ~ 40°C (32°F ~ 104°F)	Win10, Linux

Packing List

Item	P/N	Quantity
HID-2340 Medical Panel PC	HID-2340-123-A1R	1
Medical power adapter	ACC-ADP-120M-02R	1

Optional Items

Items	P/N
Barcode scanner kit for HID/ APC	RCC-HID-BCSCAN-01R
WiFi module KIT for HID-2340	E971XH12340003R
HID White Stand VESA 100 x 100/ 75 x 75	ACC-ARM-D55R
DIP HID-2132 DB-A A1 isolation board with LAN/ COM/ USB	E9697H10201R-A
DIP HID-2340 DB-B A1 HDMI/ 2 x Audio/ 2 x USB 2.0/ Mini PCIe/ COM	E9697H30002R-B-98
EU Power Cord	E1702031000R
US Power Cord	E1702031833R
JP Power Cord	E170203183CR
UK Power Cord	E170P060380R
AU Power Cord	E1702031831R
CN Power Cord	E170P060391R

I/O Overview

